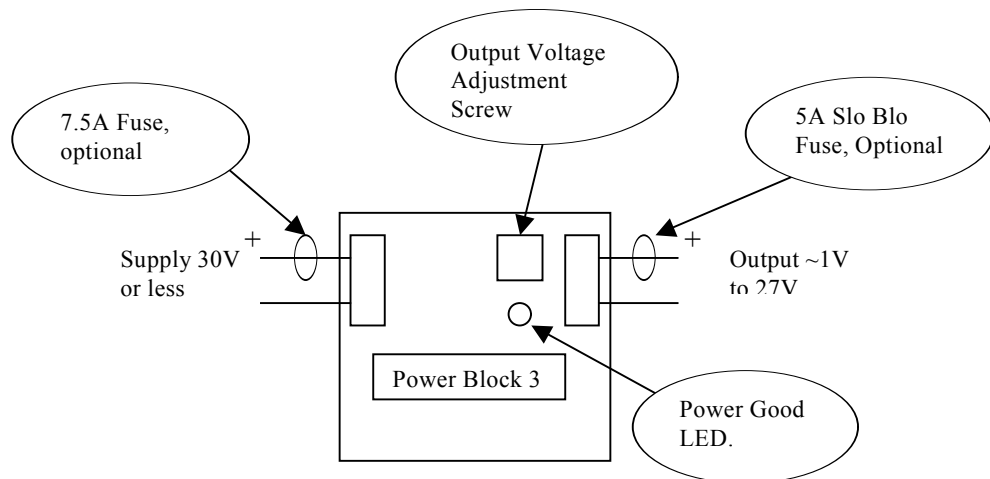


# **ei** Electronic Ideas c.c.

Power Block 3 is an adjustable power supply providing a single output at up to 5A. It has current limiting, thermal overload and short circuit protection. This circuit is well suited for charging Gel-Batteries due to the tight Voltage regulation and current limiting features.

The module is supplied as OEM for inclusion in control panels or as a part of an overall design. The responsibility of fusing the device rests with the installer. An in-line fuse of up to 7.5A should be installed in the unregulated supply for protection. As stated, the power supply output is thermal protected and current limited so a fuse in the DC output line, though not essential, is considered good practice. The value of this fuse should be 5A or less, calculated to protect the circuitry connected to Power Block 3. When used as a battery charger, no fusing is required because the current may be quite high for short periods of time during charging and during startup of inductive loads. If a fuse is a requirement for an installation, this fuse should be a 5A Slo Blo type, or as required by the connected circuitry.



**Note: The Power Good LED ONLY lights at output Voltages higher than 2.5V.**